

**Pioneer Dj**

**Service  
Manual**



DM-40

ORDER NO.  
RRV4662

ACTIVE MONITOR SPEAKER

**DM-40** /CMXEG  
**DM-40** /SYXEG



**Pioneer DJ Corporation**


6F, Yokohama i-Mark Place, 4-4-5 Minatomisi, Nishi-ku, Yokohama, Kanagawa 220-0012 JAPAN

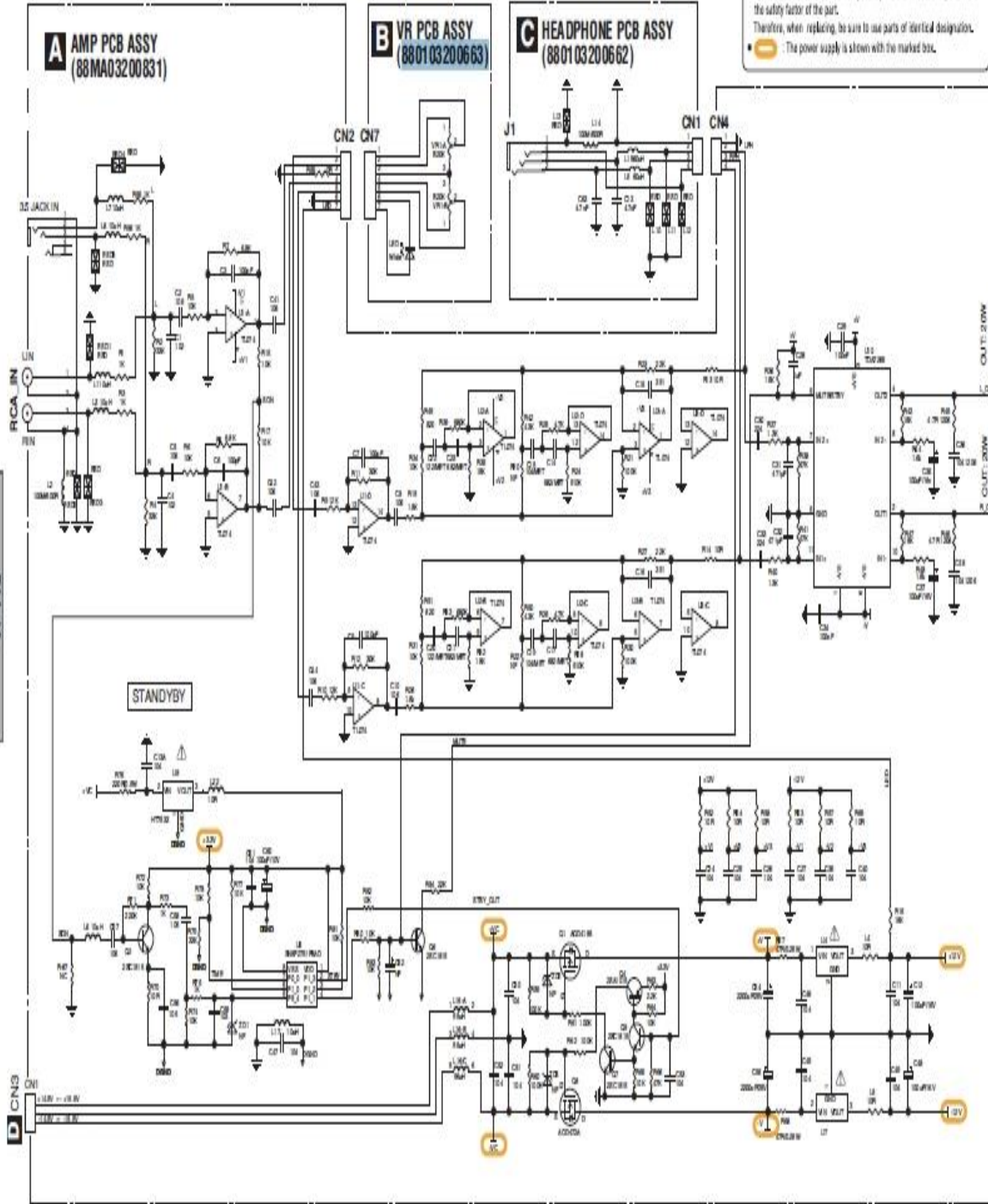
© 2016 Pioneer DJ Corporation

K-ZZZ AUG. 2016

# 10. SCHEMATIC DIAGRAM

880103200663

- When ordering service parts, be sure to refer to EXPLODED VIEWS and PARTS LIST or PCB PARTS LIST.
- The  $\Delta$  mark fixed on some component parts indicates the importance of the safety factor of the part. Therefore, when replacing, be sure to use parts of identical designation.
-  : The power supply is shown with the marked box.



# 10. SCHEMATIC DIAGRAM 10.1 AMP PCB, VR PCB and HEADPHONE PCB ASSYS

DM-40

ABC

ABC