

## Service Manual

ORDER NO.  
CRT6205

ACTIVE SUBWOOFER

# TS-WX300A

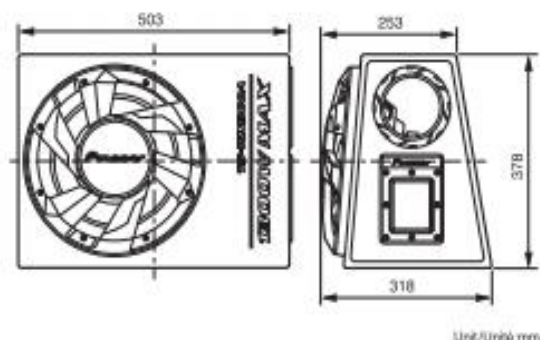
THIS MANUAL IS APPLICABLE TO THE FOLLOWING MODEL(S) AND TYPE(S).

Model	Type	Power Requirement	Remarks
TS-WX300A	XCNEL5	—	

## 1. SPECIFICATIONS

- Maximum music power.....1300 W
- Nominal power.....350 W
- Speaker specifications
- Size..... $\phi$ 30 cm
- Amplifier
- Input level (at Gain Max)
- (RCA)..... 100 mV+100 mV/22 k $\Omega$
- (Speaker line)..... 2 V+2 V/5 k $\Omega$
- Power source..... DC 14.4 V (10.8 V to 15.1 V allowable)
- Max. current consumption ..... 13 A
- Grounding..... Negative ground
- Speaker system..... Bass reflex type
- Frequency response..... 20 Hz to 130 Hz (-20 dB)
- Sensitivity (In car, input : 2 V) ..... 113 dB  $\pm$ 1.5 dB
- Size..... 503 mm (W) $\times$ 318 mm (D) $\times$ 378 mm (H)
- Weight (including accessory parts)..... 10.3 kg
- Gross weight (including packaging)..... 11.9 kg

### • Figure of Measurement



Unit/Unitó mm

#### Note:

Specifications and the design are subject to possible modification without notice due to improvements.

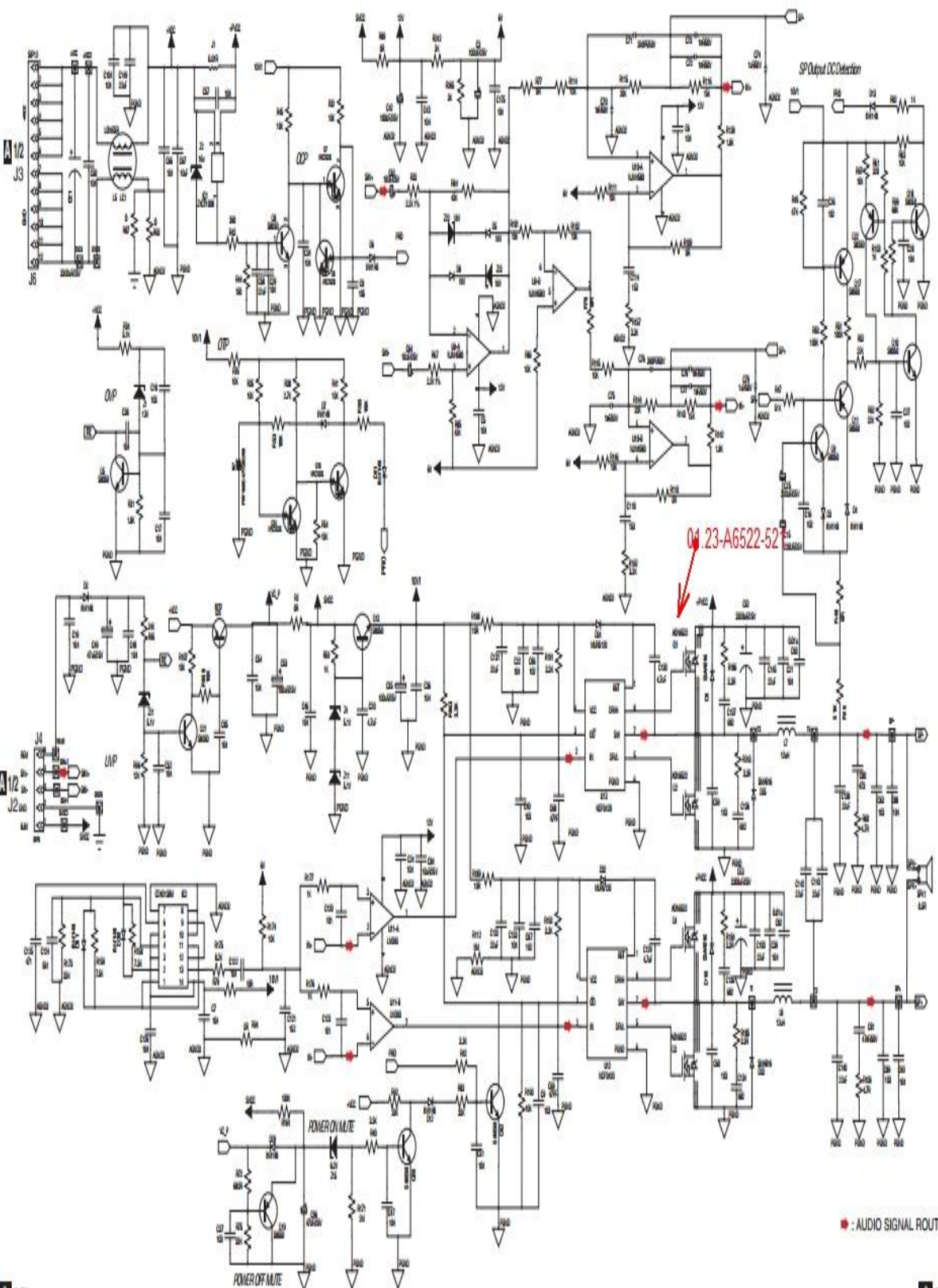
PIONEER CORPORATION 28-8, Honkomagome 2-chome, Bunkyo-ku, Tokyo 113-0021, Japan  
 PIONEER ELECTRONICS (USA) INC. P.O. Box 1760, Long Beach, CA 90801-1760, U.S.A.  
 PIONEER EUROPE NV Haven 1087, Keetberglaan 1, 9120 Melsele, Belgium  
 PIONEER ELECTRONICS ASIACENTRE PTE. LTD. 2 Jalan Kilang Barat, #07-01, Singapore 159346

© PIONEER CORPORATION 2017

K-ZZZ NOV. 2017

# 3.2 AMP UNIT (2/2)

A2/2 AMP UNIT (02.P0030037)



• : AUDIO SIGNAL ROUTE

TS-WX300A

A2/2

A2/2